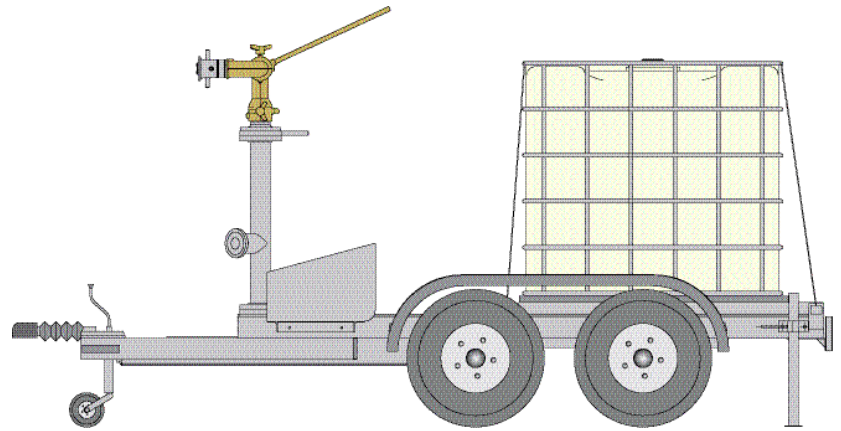


Titan PMB IBC/ Monitor Trailer

PMB 30 (IBC) Trailer-Mounted Bronze Monitor with Integral 1000L IBC Foam Container

- Trailer-Mounted Bronze Monitor
- Rapidly deployed
- Total assembly can be towed to site



The Angus Titan PMB 30(IBC) trailer mounted monitor is designed to provide a mobile monitor capable of projecting fire fighting foam over a distance of 47 m* (150 ft).

The unit can be supplied with a range of self inducing fog/jet nozzles and aspirating foam cannons with flows from 1,000 to 3,000 l/min*. The total assembly can be towed to site behind a fire tender or 4 x 4 and rapidly deployed using a local water supply.

Applications include protection of tanks and plant sited over a wide area and where it is necessary to lift and direct a jet of foam over obstacles or over long distances.

Titan LMB 30 Monitor

Bronze single duct body with cast-in longitudinal separators to reduce internal turbulence.

Bronze body to EN CC491K, equivalent to LG2 and UNI 7013

Copper	Zinc	Lead	Tin
85%	5%	5%	5%

Twin rotation joints in the vertical and horizontal planes allowing the direction to be adjusted.

Rotating joint bearings consisting of AISI 316 steel balls running in a bronze track machined directly into the monitor body. Bearing assembly sealed with Viton "O" rings and lubricated via grease nipples.

Adjustment of the operating angle is achieved in both the vertical and horizontal planes via a hand tiller or lever and locking nuts on stainless steel shafts

- Inlet flange 3" ANSI 150# FF
- Outlet 2½" BSP (M)
- Bronze to EN CC491K (LG2)

FJS 1300 to 2000 self inducing fog/jet nozzles

Self inducing (3% or 6%) bronze hand adjustable nozzle from full jet to 90° fog.

Flows available: 1,300 l/min and 2,000 l/min*

- Inlet 2½" BSP (F)
- Bronze to EN CC 491K (LG2)
- "O" ring seals "Viton"

FJS 2850 self inducing fog/jet nozzles

Self inducing (3% or 6%) hand adjustable nozzle from full jet to 90° fog.

Flow: 2,850 l/min*

- Inlet 2½" BSP (F)
- Material Anodised light alloy
- "O" ring seals "Viton"

FCS 1000 to FCS 3000 self inducing and aspirating foam cannons

Flows available: 1,000; 1,200; 1,400, 1,600, 2,000; 2,400; 2,800; 3,000 l/min*

- Stainless steel (SS316) self aspirating foam cannon mounted on bronze hub with built in foam induction (3 or 6%).

- Foam induction suction pressure at full nominal flow 0.5 bar

- "O" ring seals - Viton

Trailer

- Double axle steel framed trailer with road going suspension
- Manual stabilisation jacks with folding handles
- Non slip decking
- Monitor mounting flange 3" ANSI 150# FF
- Water inlet single 125mm (5") Storz coupling (alternative inlets available)
- Water manifold drain valve
- Road going lights at rear
- Hand brake and towing over run brake
- 50mm ball towing hook
- 7 pin 12 VDC lighting socket
- Manual jockey wheel
- Spare wheel
- Mudguards
- Frame and accessories painted Red RAL3020
- Hose storage bins
- 1000 litre IBC foam container with foam resistant plastic body, outlet valve and light alloy frame. Restraining straps and mounting platform for IBC
- Foam suction hose and connection to self inducing monitor nozzle/cannon

* With 7 bar water pressure at the trailer inlet

Titan PMB IBC/Monitor Trailer

PMB 30 (IBC) Trailer-Mounted Bronze Monitor with Integral 1000L IBC Foam Container

Operating parameters Monitor:

Nominal flow rate 3.000 l/min
(US gallons/min)
Maximum working pressure 16 bar
(220 psi)
Vertical movement +85° to +15°
(limited for safety reasons)
Horizontal movement 360° continuous
(within limits of foam pick up tube)

Options:

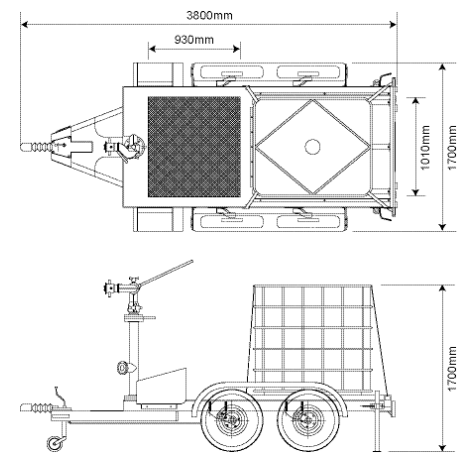
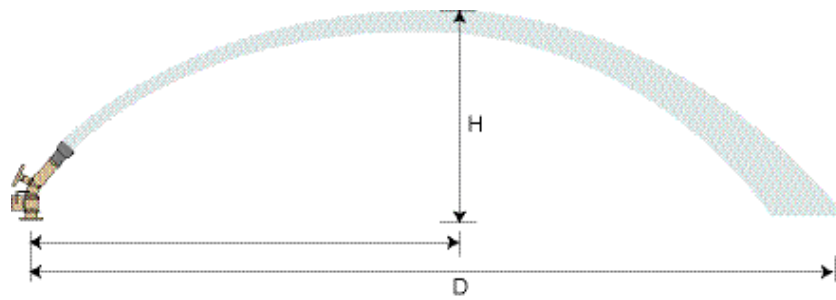
Pressure gauges
Manual foam cannon spreader
NATO towing hook or ball
NATO lighting system
Spare wheel and tyre

Throw data:

Typical throw/pressure/flow chart based on 2850 l/min self inducing fog/jet nozzle

Trailer:

Working weight ~ 750 kg (with empty IBC foam container)
Maximum towing speed on paved level roads 40 km/h



Throw and Height Data						
Inlet pressure to monitor		6 bar	7 bar	8 bar	9 bar	10bar
Flow l/min		2,090	2,280	2,450	2,620	2,770
	Angle					
Throw "D"	35°	42m	47m	52m	56m	59m
Height "H"	35°	9m	11m	11m	12m	13m
Throw "D"	45°	41m	45m	49m	53m	56m
Height "H"	45°	14m	16m	17m	18m	19m
Throw "D"	55°	34m	39m	43m	46m	48m
Height "H"	55°	18m	21m	23m	24m	25m
Throw "D"	65°	26m	29m	32m	34m	36m
Height "H"	65°	22m	25m	27m	29m	31m

Note: The throw and height data above is mathematically extrapolated from experimental tests using foam in still air. Figures may vary widely with wind conditions and other factors such as foam quality and equipment condition.

INTERNATIONAL SALES

Angus Fire Ltd
Angus House, Haddenham Business Park,
Pegasus Way, Haddenham, Aylesbury, HP17 8LB, UK
Tel: +44 (0)1844 293600 • Fax: +44 (0)1844 293664

UK SALES

Angus Fire Ltd
Station Road, Bentham, Lancaster, LA2 7NA, UK
Tel: +44 (0)1524 264000 • Fax: +44 (0)1524 264180

Angus Fire operates a continuous programme of product development. The right is therefore reserved to modify any specification without prior notice and Angus Fire should be contacted to ensure that the current issues of all technical data sheets are used.

© Angus Fire
6669/5 10.16