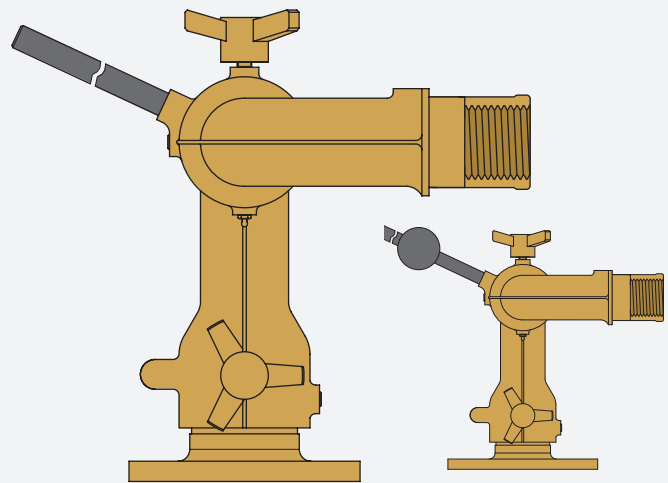


Titan LMB40

Bronze Fire Monitor Nominal flow 4,000 l/min

- Simple and reliable design
- Low maintenance
- Most models available with lever or gearbox control
- Suitable for use where explosive atmospheres may be present



The Angus LMB40 bronze fire monitor is a simple and reliable design with a hand lever for movement and hand locks in both the horizontal and vertical axis. Stainless steel ball race bearings are used for the horizontal and vertical movement.

Computer designed guide vanes cast into the body reduce turbulence and spin in the water stream lowering pressure loss and improving jet reach.

All Angus bronze monitors are based on a proven low maintenance design developed over 20 years of world-wide service.

Body materials

Bronze body to EN CC491K, equivalent to LG2, Red Brass, ASTM B62 and UNI 7013-8

Copper	Zinc	Lead	Tin
85%	5%	5%	5%

Steering arm – SS316

Locking handles Duraplast on SS316 shafts

Material certification to EN 10204 3.1 is available on request.

Bearing materials

Stainless steel (SS316) ball race bearing on both axis with Viton seals rated up to 120°C

Inlet connection

Standard flange 4" ANSI 150 FF (150-250 AARH)

(DIN and non standard flange options available)

Outlet connection

2½" BSP F (NH optional)

Design pressure

Maximum working pressure 16 bar
Hydraulic factory test pressure 24 bar

Performance

Pressure loss at 4,000 l/min 3.5 bar.

(For pressure losses at other flow rates refer to the pressure loss graph.)

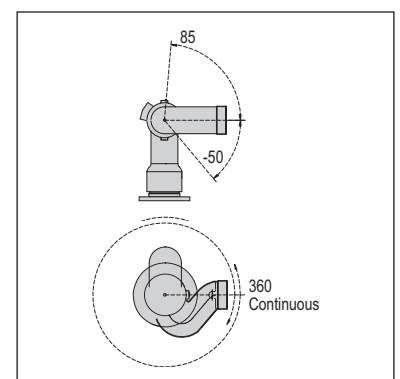
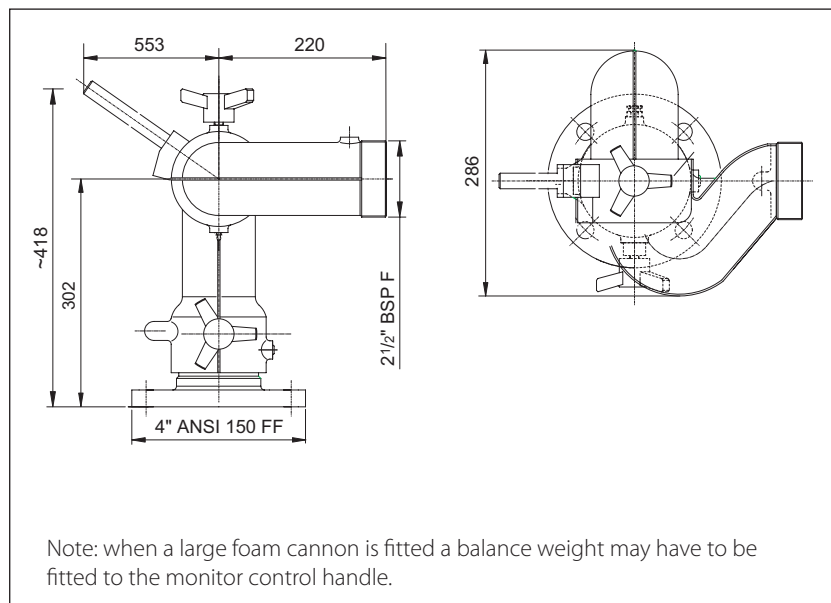
Weight

26 kg

Movement

360° continuous rotation in the horizontal plane

+85° / -50° movement in the vertical plane



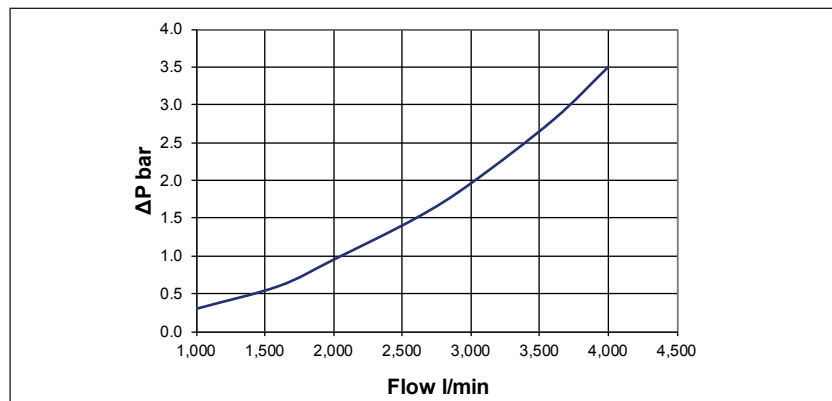


ANGUS FIRE

Titan LMB40

Bronze Fire Monitor Nominal flow 4,000 l/min

Optional Paint Finish	
Surface preparation	Solvent cleaning
Primer coat	Epoxy 30µm
Intermediate coat	Epoxy grey 40µm
Finish coat	Polyurethane 40µm Red RAL3000
Total dry film thickness	110µm



Outlet nozzle options

Bronze bodies, manual controlled, fog/jet nozzles with shut off:

FJ20: 2000 l/min

Bronze bodies, manual controlled, fog/jet nozzles:

FJ 1300 to 4000 l/min

Stainless steel barrel with bronze base, aspirating foam cannons:

FC 800 to 4000 l/min*

Stainless steel water jet pipes:

WC 1500 and 3000 l/min

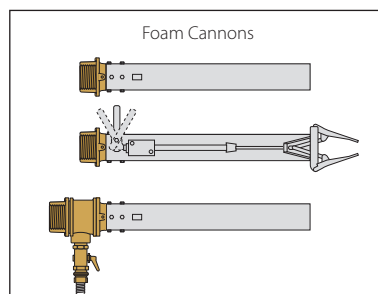
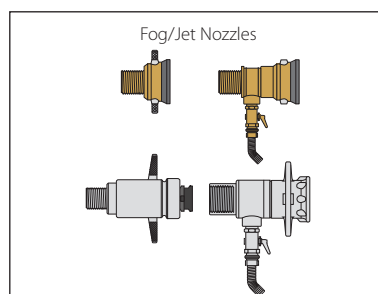
A range of dry powder nozzles is also available – refer to Angus Fire

All foam cannons come with the option of a manually operated spreader.

All nozzles and branchpipes come with the option of a self inducing foam connection.

(For technical details of nozzles and branchpipes see separate data sheets.)

*Note: Heavier foam cannons require a counter weight to be fitted to the steering arm.



Length and height of monitor water jet

FJ4000 nozzle at 11 bar monitor inlet pressure:

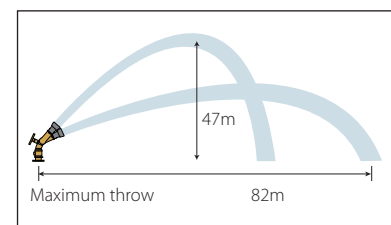
Flow 4130 l/min

Maximum jet throw at 32°, 82m

Maximum jet height at 75°, 47m

Note: The jet throw depends on a number of variables such as wind direction, type and concentration of foam in the water and the condition of the monitor water ways and nozzle.

For throw and height calculations at different inlet pressures and flows and for different nozzles and angles refer to the Angus interactive electronic data sheet.



The Angus monitor range includes bronze models up to 8,500 l/min and stainless steel models up to 50,000 l/min.

Most models are available with lever or gearbox control, automatic oscillation or with hydraulic or electric remote control. All are suitable for use where explosive atmospheres may be present.

Angus is a company assessed to ISO 9001



INTERNATIONAL SALES

Angus Fire Ltd

Angus House, Haddenham Business Park,
Pegasus Way, Haddenham, Aylesbury, HP17 8LB, UK
Tel: +44 (0)1844 293600 • Fax: +44 (0)1844 293664

UK SALES

Angus Fire Ltd

Station Road, Bentham, Lancaster, LA2 7NA, UK
Tel: +44 (0)1524 264000 • Fax: +44 (0)1524 264180

Angus Fire operates a continuous programme of product development. The right is therefore reserved to modify any specification without prior notice and Angus Fire should be contacted to ensure that the current issues of all technical data sheets are used.

© Angus Fire
6399/3 02.14