

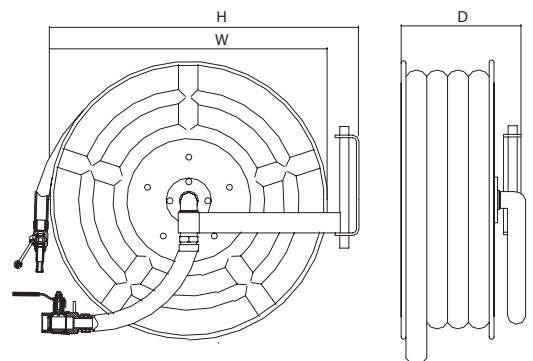
Tartan Swinging Arm Hose Reels

Manual MT-HR001
Automatic MT-HR002

Manufactured and approved to
EN671-1



- Available both in manual and automatic versions
- Designed to carry 30 metres of 25mm bore, PVC hose tubing
- CE Certificate to EN671-1 (approved by LPCB)
- Suitable for surface, recess or cabinet mounting, (minimum depth of cabinet 245mm)
- Chrome plated lever operated brass shut/jet/spray nozzle, hose clip in stainless steel
- Unwind hose without need for hose guide, force $\leq 70N$ D
- Red hose tubing approved to EN694
- Swinging arm allows for left or right hand mounting
- Side plates manufactured in 1mm cold rolled mild steel
- Polyester powder coated Red RAL3000 finish
- Maximum working pressure 12 bar
- Test pressure 18 bar
- Operating instructions in English and Arabic
- Auto valve/centre parts material, brass



Part Number	MT-HR001	MT-HR002
Dimensions H x D x W (mm)	600 x 240 x 580	600 x 240 x 580
Type	Manual	Automatic
Inlet	1" BSP Female	1" BSP Female
Outlet	8 mm	8 mm
minimum flow @ 6 bar	86 lpm (jet), 70 lpm (spray)	84 lpm (jet), 69 lpm (spray)
throw distance @ 2 bar	11 m (jet), 4.5 m (spray)	12 m (jet), 6 m (spray)
Weight (in kgs)	24.7	24.7



INTERNATIONAL SALES

Angus Fire Ltd
Angus House, Haddenham Business Park,
Pegasus Way, Haddenham, Aylesbury, HP17 8LB, UK
Tel: +44 (0)1844 293600 • Fax: +44 (0)1844 293664

UK SALES

Angus Fire Ltd
Station Road, Bentham, Lancaster, LA2 7NA, UK
Tel: +44 (0)1524 264000 • Fax: +44 (0)1524 264180

Angus Fire operates a continuous programme of product development. The right is therefore reserved to modify any specification without prior notice and Angus Fire should be contacted to ensure that the current issues of all technical data sheets are used.

© Angus Fire
6831/2.02.17