

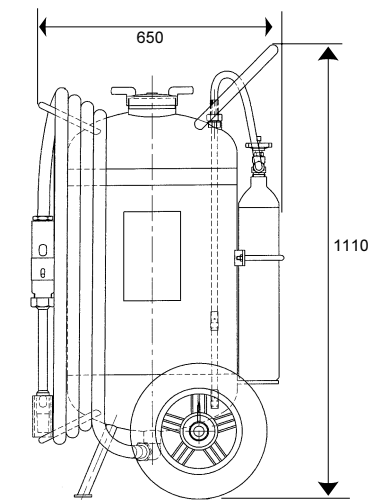
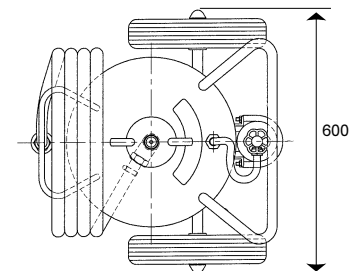
63 Kg Monnex Powder

Mobile Fire Extinguisher



Technical Specification

Extinguisher Code	MX63K
Extinguishant	Monnex Powder Potassium Bicarbonate/Urea Complex
Propellant Type	Carbon Dioxide Gas Bottle With Screwdown Valve
Gas Bottle Size	2 Kg
Nominal Charge	63 Kg
Cylinder Finish	Thermoplastic to BS 4800:1981
Colour	Signal Red (RAL 3020)
Fire Class	B, C Types & Electrical
Discharge Hose	9.14 m
Temperature Range	-20°C to +60°C
Test Pressure	31.5 Bar
Operating Pressure at 20°C	20.9 Bar
Discharge Time Discharge	50 to 60 sec
Range Cylinder Material	7.5 to 9.0 m
Operating Valve	Carbon Steel to BS EN 10025 FE430A
	Brass Gas Bottle Valve & Polycarbonate Control Valve on Hose
Overall Height	1100 mm
Overall Width	600 mm
Overall Depth	650 mm
Full Weight	129.5 Kg
Empty Weight	66.5 Kg
Wheel Diameter	330 mm



INTERNATIONAL SALES

Angus Fire Ltd
 Angus House, Haddenham Business Park,
 Pegasus Way, Haddenham, Aylesbury, HP17 8LB, UK
 Tel: +44 (0)1844 293600 • Fax: +44 (0)1844 293664

UK SALES

Angus Fire Ltd
 Station Road, Bentham, Lancaster, LA2 7NA, UK
 Tel: +44 (0)1524 264000 • Fax: +44 (0)1524 264180

Angus Fire operates a continuous programme of product development. The right is therefore reserved to modify any specification without prior notice and Angus Fire should be contacted to ensure that the current issues of all technical data sheets are used.